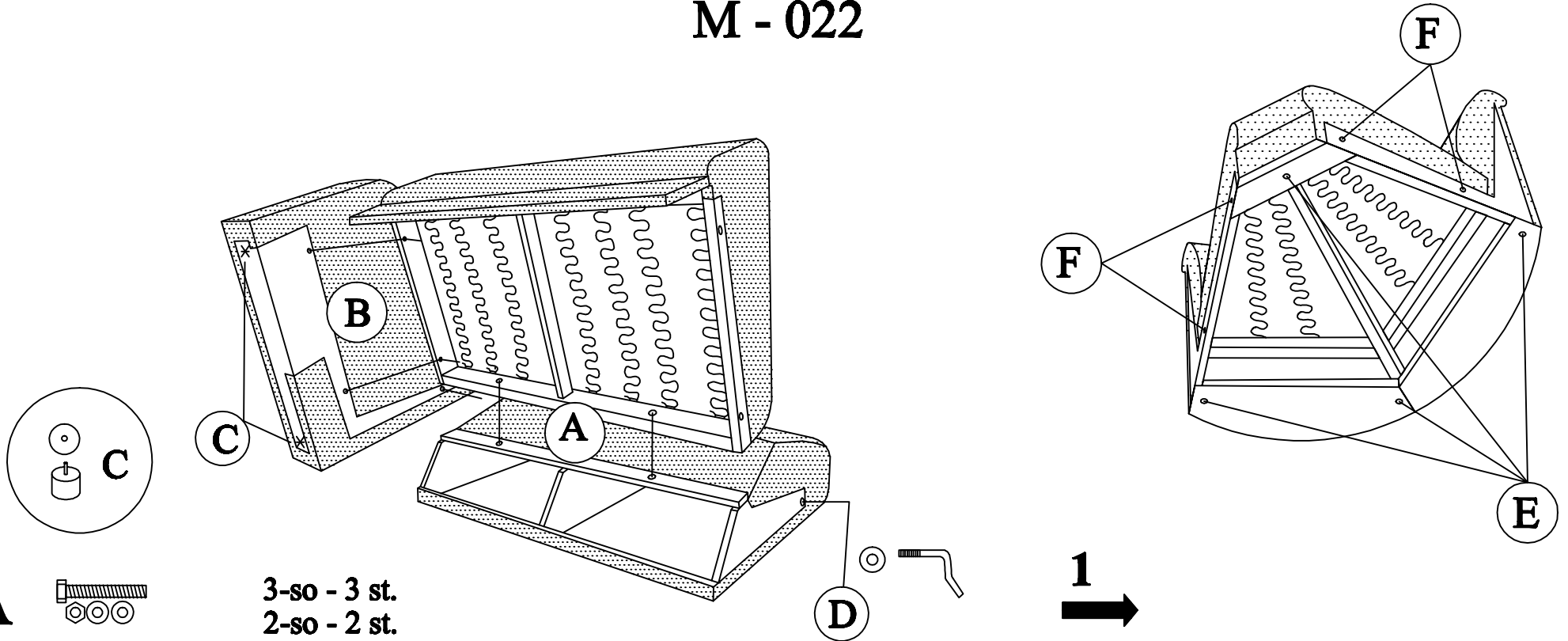


M - 022

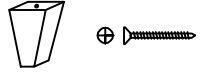



A  3-so - 3 st.
2-so - 2 st.

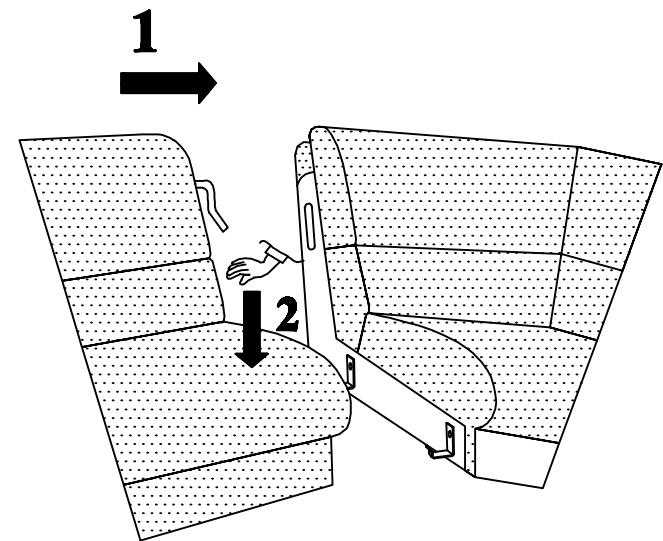
B  3 st.

C  4 st.
plast ben/plastic leg D50x35 mm

D  2 st.

E  4 st.
ben/leg H135 mm

F  4 st.



SCAPA