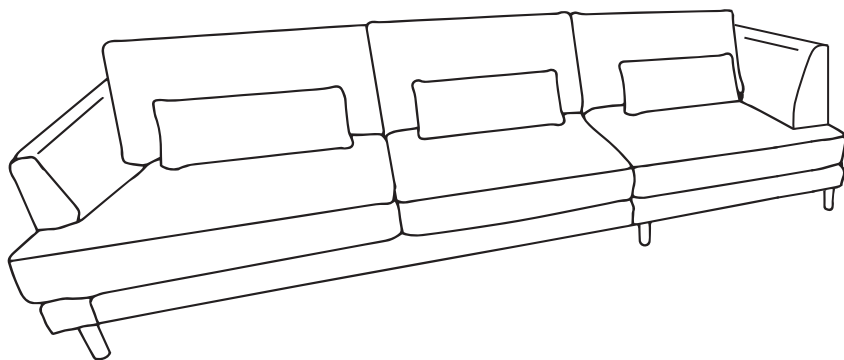


Assembly instruction

Stockholm 3so



You need



10-20 minutes

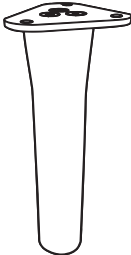


1-2 person

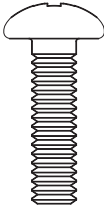


Components

A

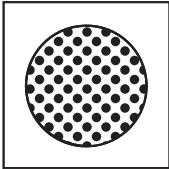


B

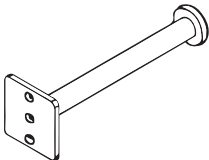


Nr	QTY	mm
A	6	H:160
B	18	M6 x 25
C	6	

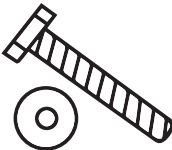
C



A

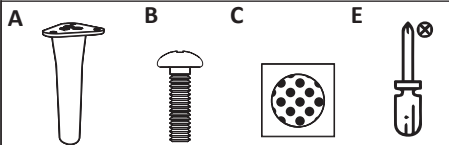
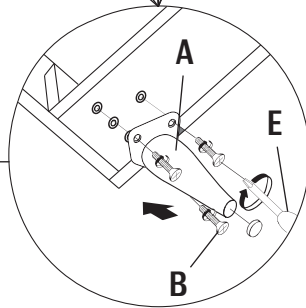
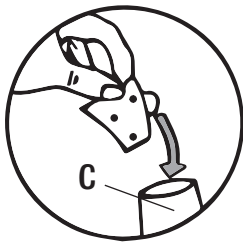
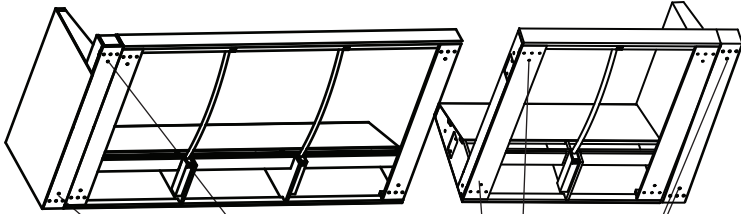


B

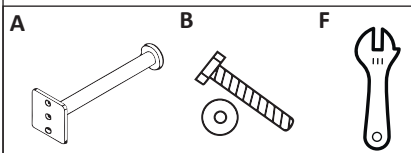
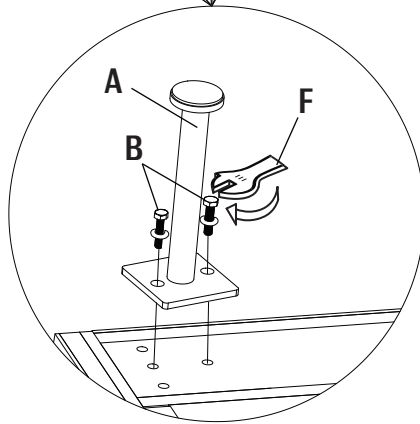
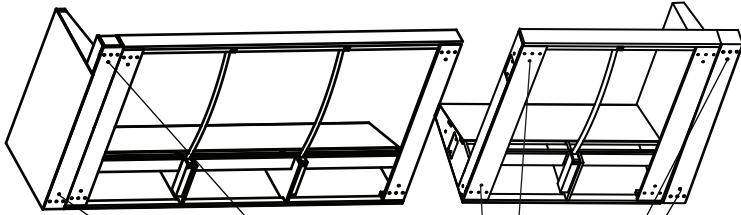


Nr	QTY	mm
A	6	H:160
B	12	M6 x 45

1.



2.



3.

