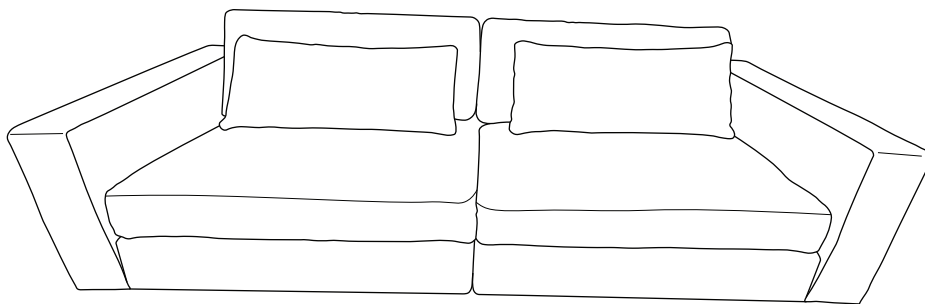


Assembly instruction

Båstad 3XL / 3so



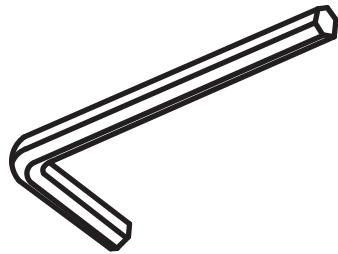
You need



30 minutes



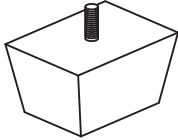
1 people



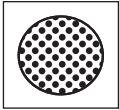
Key 2.5

Components

A

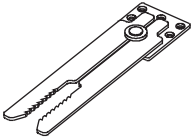


B

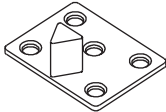


Nr	QTY	mm
A	8	H:50/80
B	8	
C	1	
D	1	
E	7	

C



D



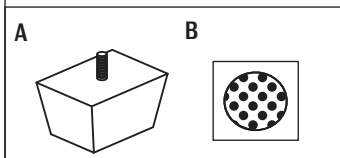
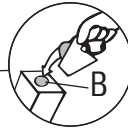
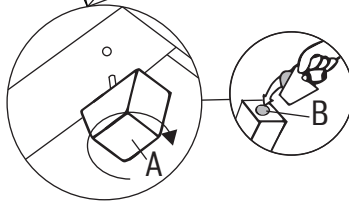
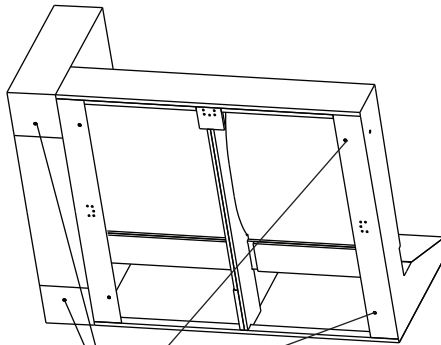
E



Mounting

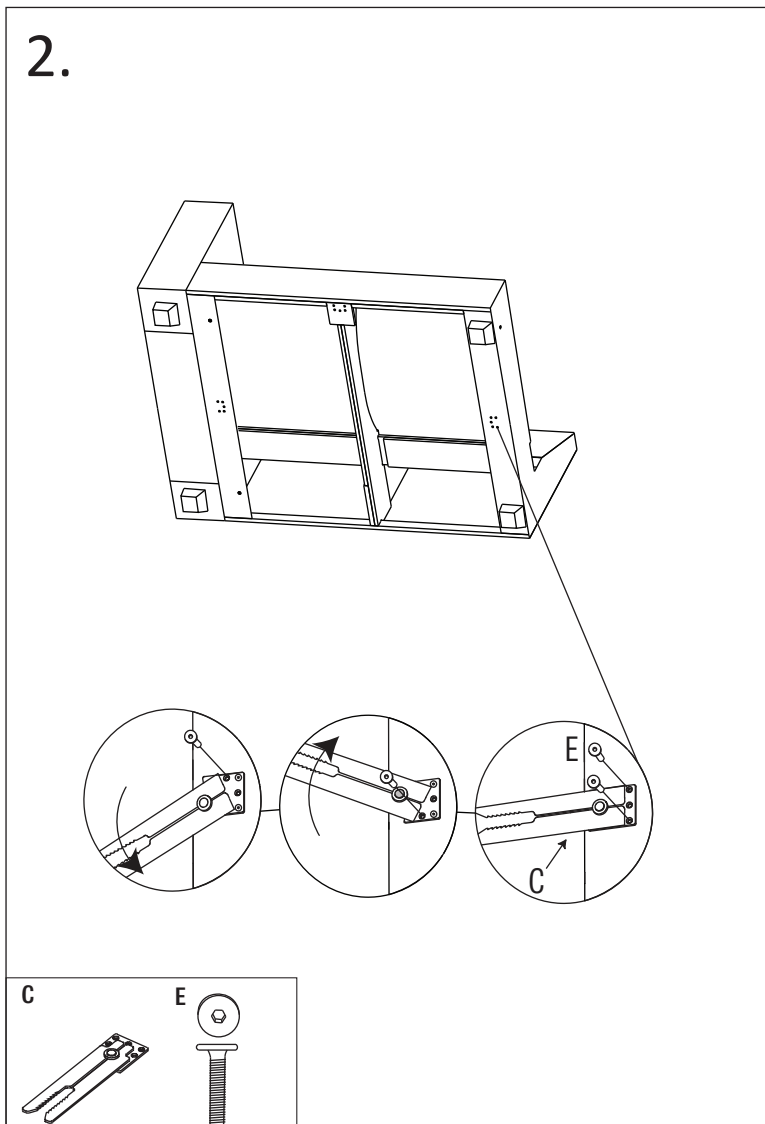
Follow the instructions step by step

1.



Mounting

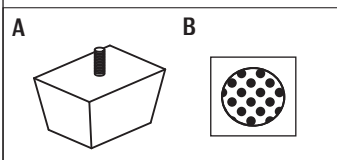
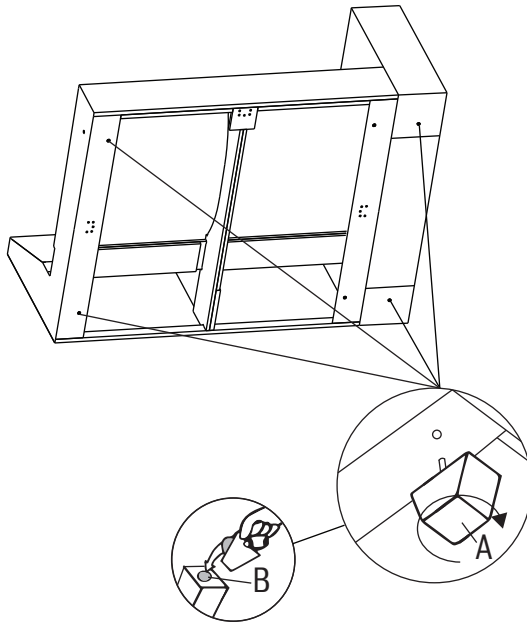
Follow the instructions step by step



Mounting

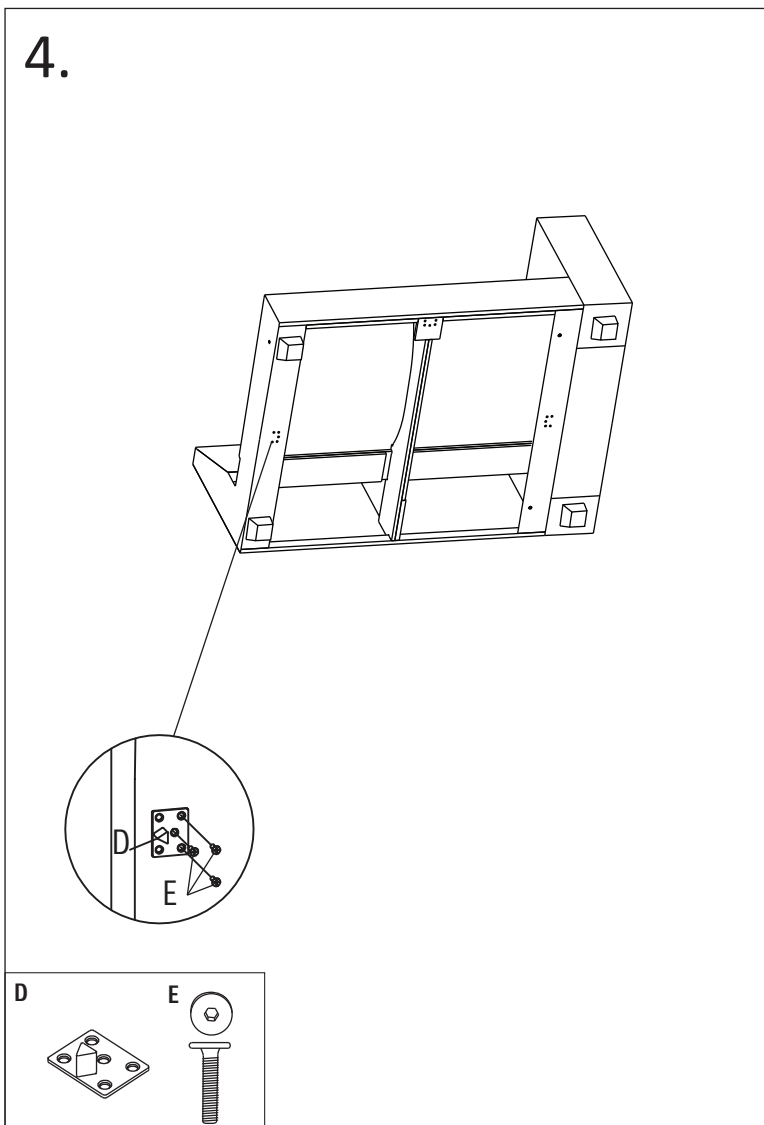
Follow the instructions step by step

3.



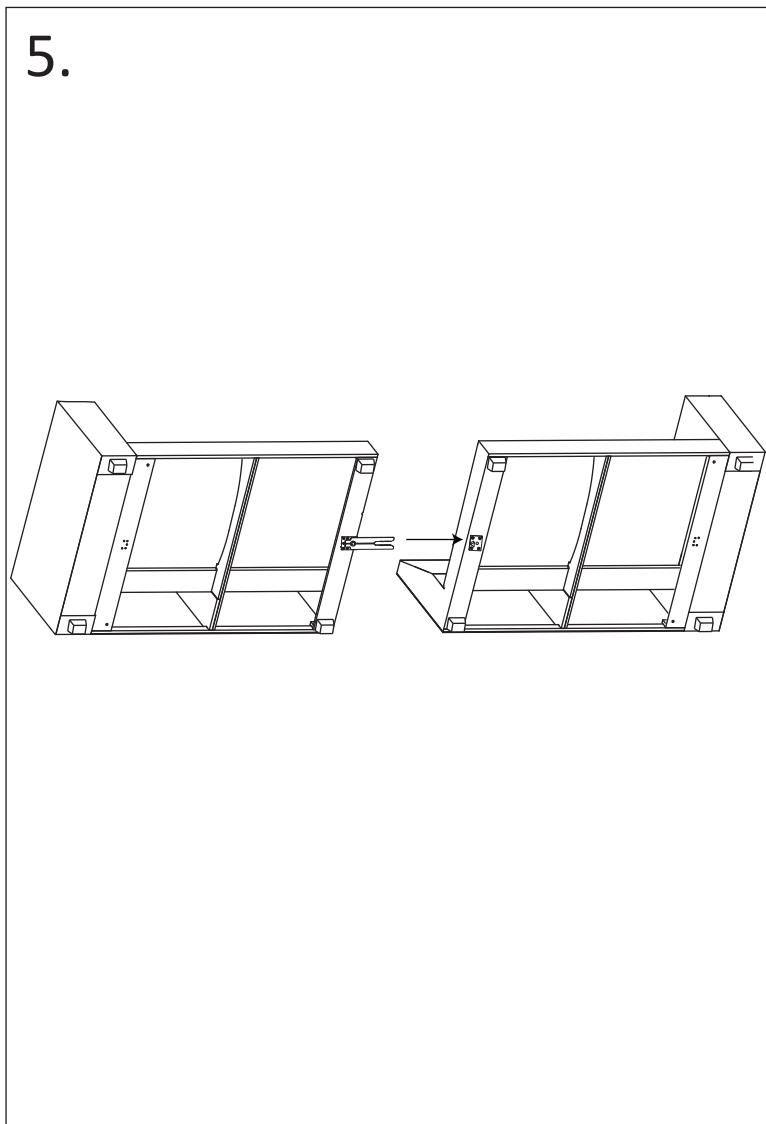
Mounting

Follow the instructions step by step



Mounting

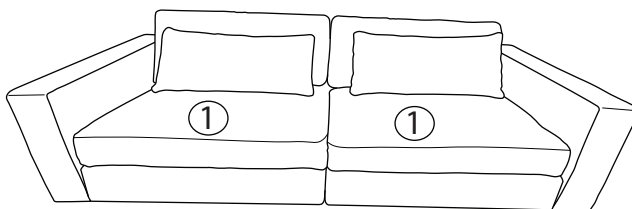
Follow the instructions step by step



Mounting

Follow the instructions step by step

6.



Cushions

① 110cm