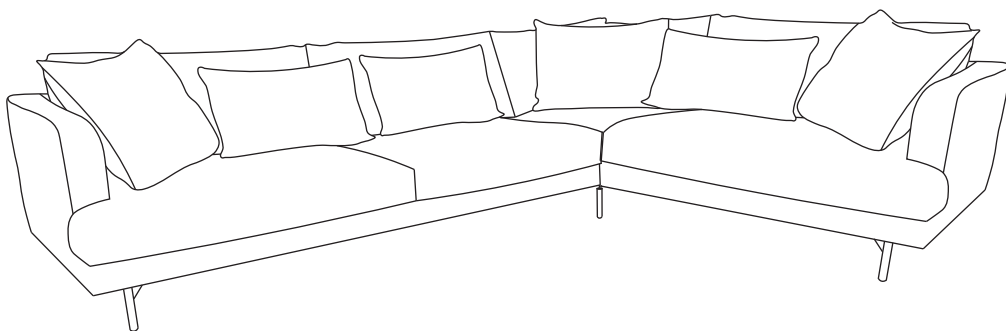


Assembly instruction

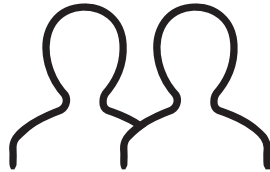
Kos 3H1½



You need



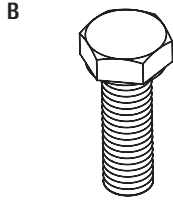
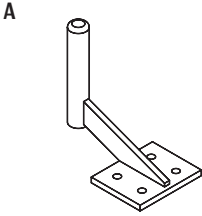
30 minutes



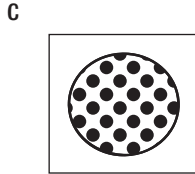
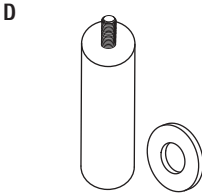
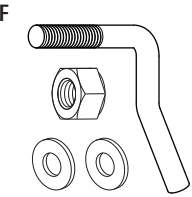
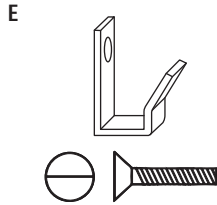
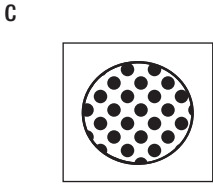
2 persons



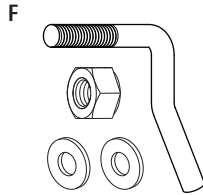
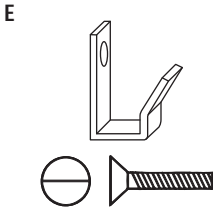
Components



| Nr | QTY | mm |
|----------|-----|--------|
| A | 8 | H: 160 |
| B | 32 | M8x30 |
| C | 8 | |
| E | 4 | |
| F | 2 | |

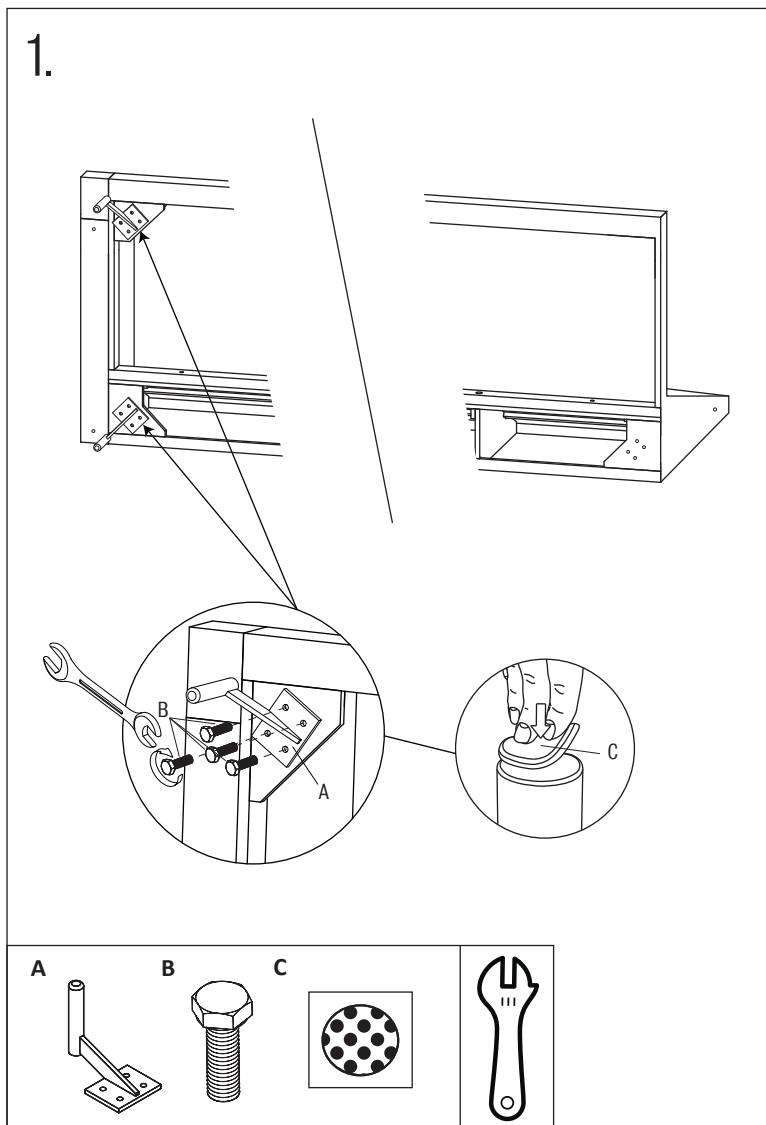


| Nr | QTY | mm |
|----------|-----|--------|
| D | 8 | H: 150 |
| C | 8 | |
| E | 4 | |
| F | 2 | |



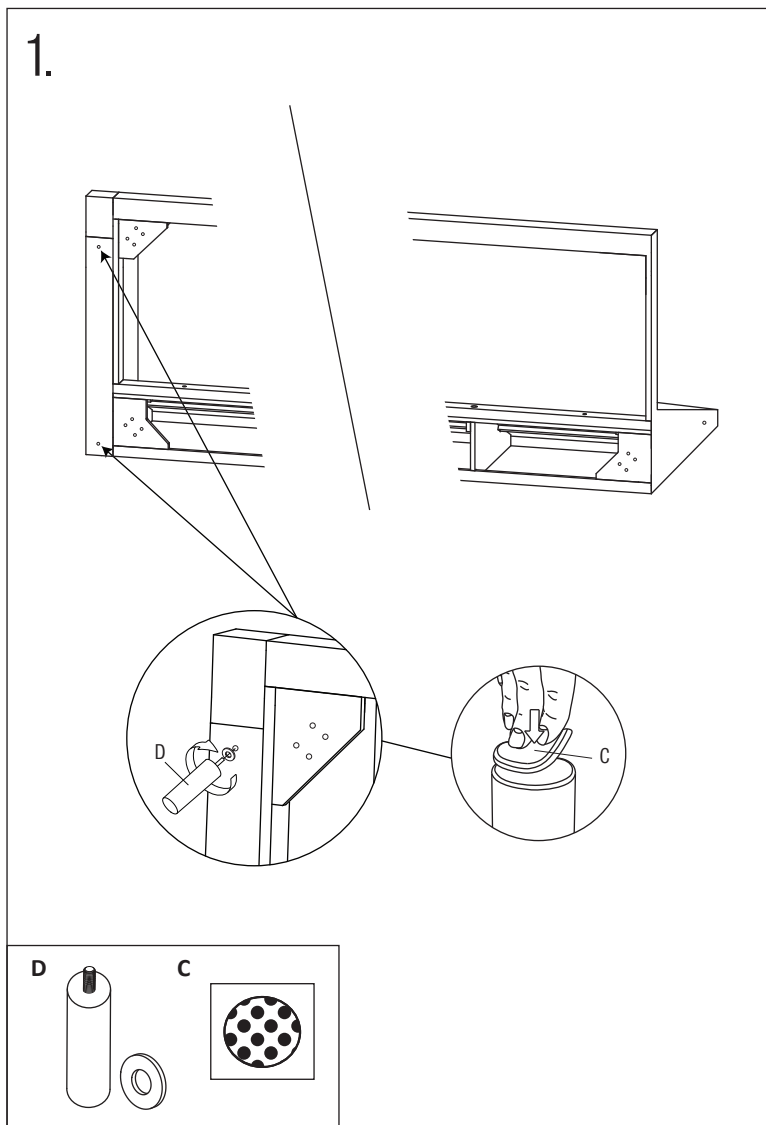
Mounting

Follow the instructions step by step



Mounting

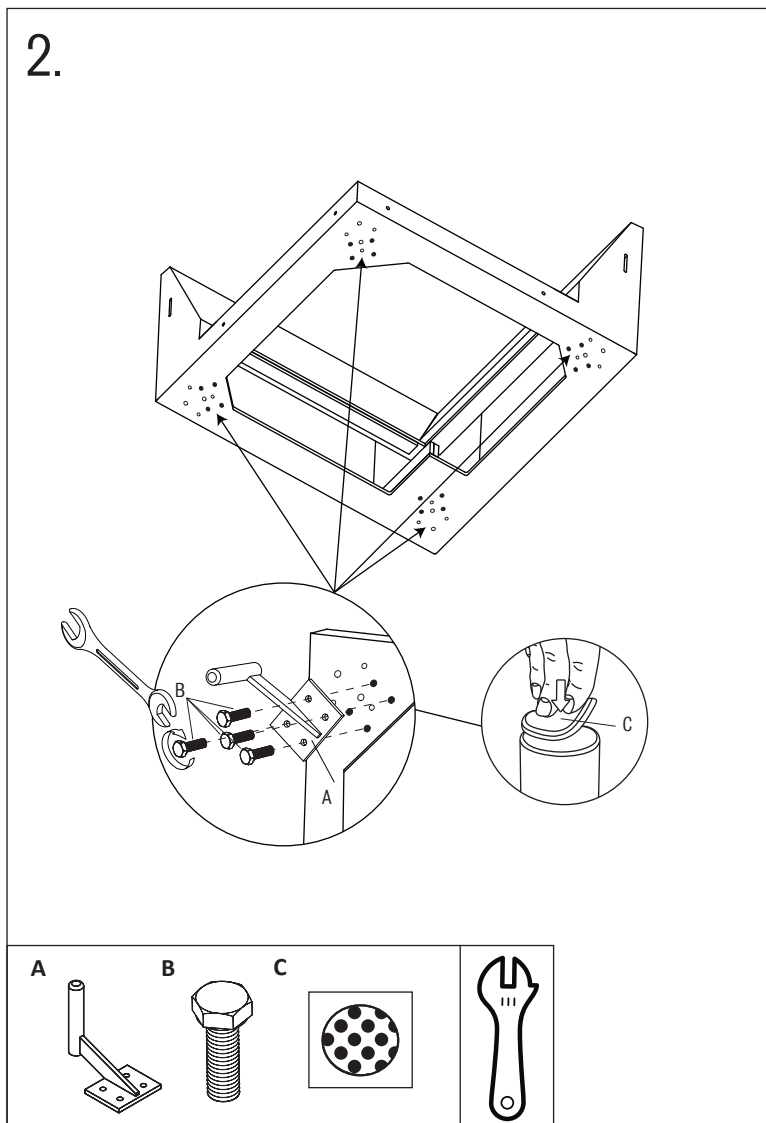
Follow the instructions step by step



Mounting

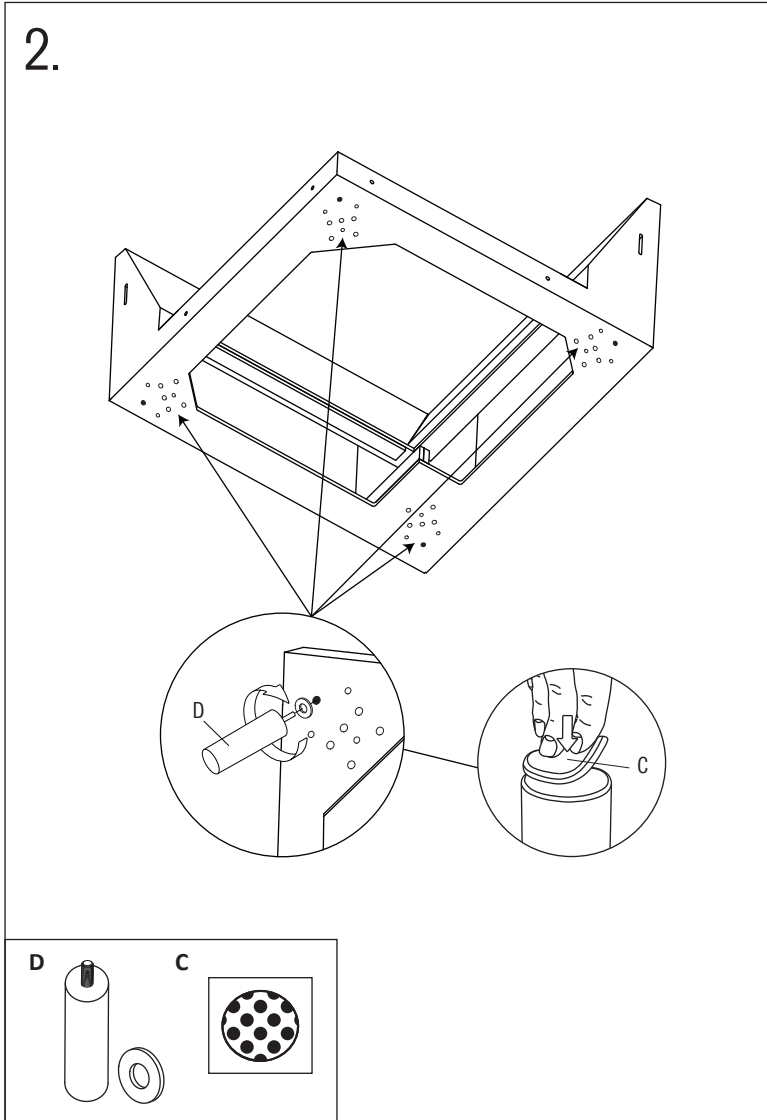
Follow the instructions step by step

2.



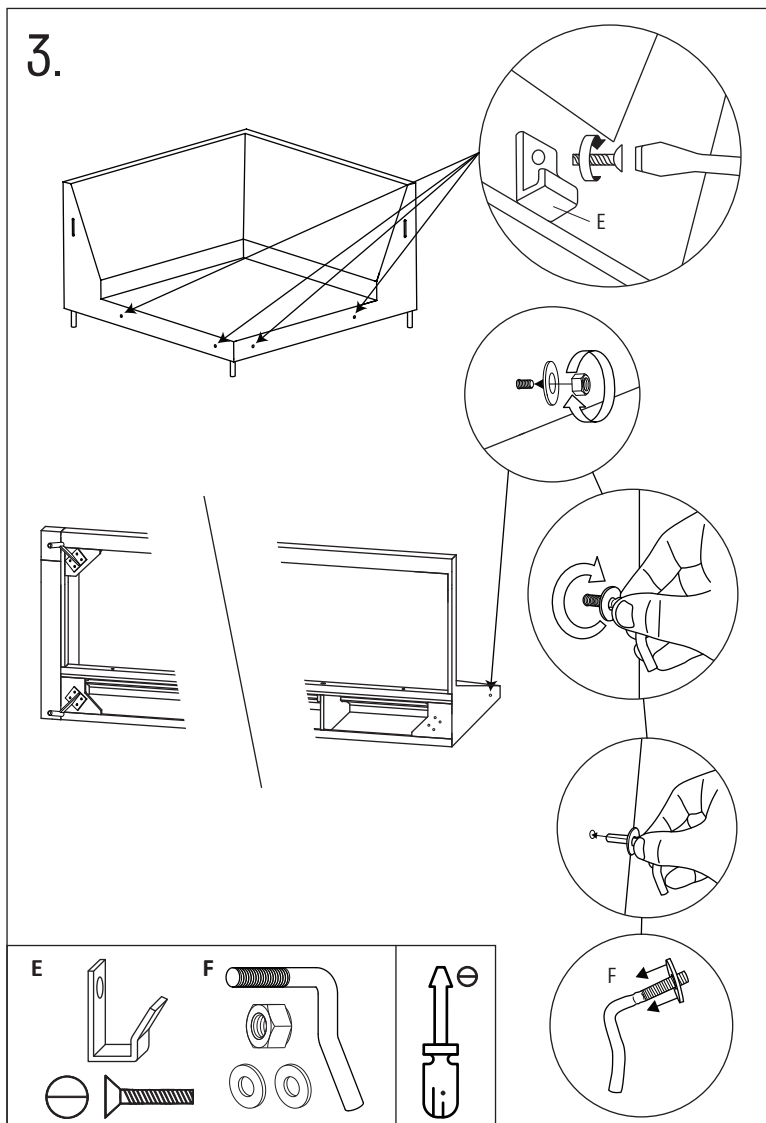
Mounting

Follow the instructions step by step



Mounting

Follow the instructions step by step



Mounting

Follow the instructions step by step

